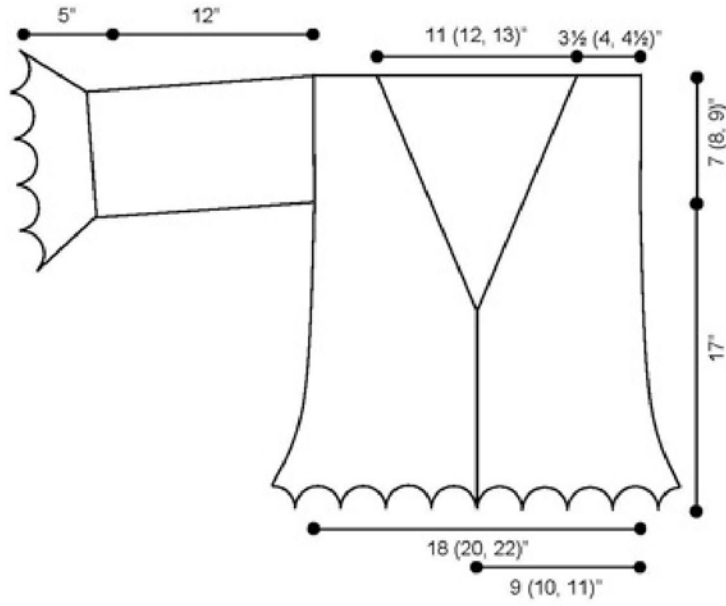


Michaels Project #e06919



© 2008, Michaels Stores, Inc. All Rights Reserved.