

# 3D PAPER PUMPKIN SCULPTURE

Level: ● ● ●

Time: 2 hrs



Makes a 8" x 8" Pumpkin

## Materials:

- Scissors
- Tacky glue or white glue
- 8.5" x 11" Cardstock paper (White or colored)

## Instructions:

1. Print pumpkin template (6 pumpkin sheets + 1 instructions sheet).
2. Cut out island pieces with scissors.
3. Score along dot-dash and dashed lines using a ruler and a thick sewing needle, a paper clip, or an embossing tool.
4. Fold dot-dash and dashed lines following the guide shown in **Figure 1**.
5. Connect tabs to corresponding islands (**Figure 2.**) and glue on blank side of tab. Pumpkin builds from top to bottom. Start on Island labeled number 1. Have fun!

Figure 1.

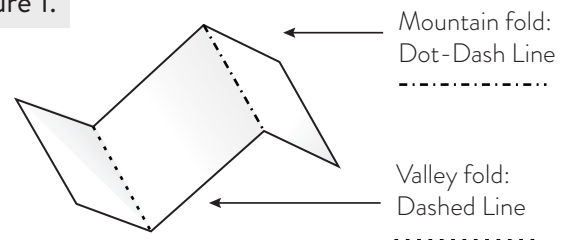
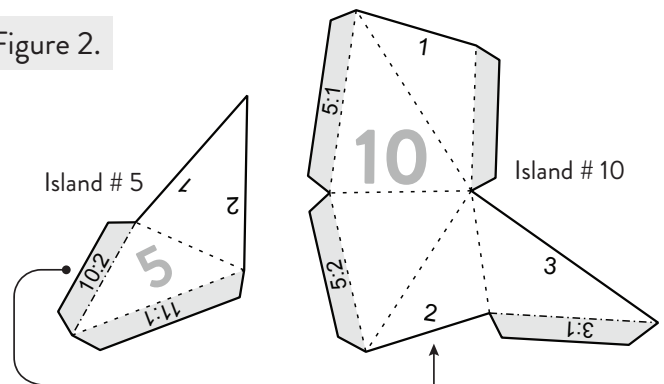


Figure 2.



Key: Island # : Edge #

**How to read tabs example:** Tab reads "10:2". Locate **Island 10** and glue tab to **Edge 2**. Apply glue to blank side of tab (non-printed side). Adhere directly on edge number of printed side.

**Blank tabs:** Work on numbered tabs first and blank tabs will be evident as to which edge and island they connect to.

