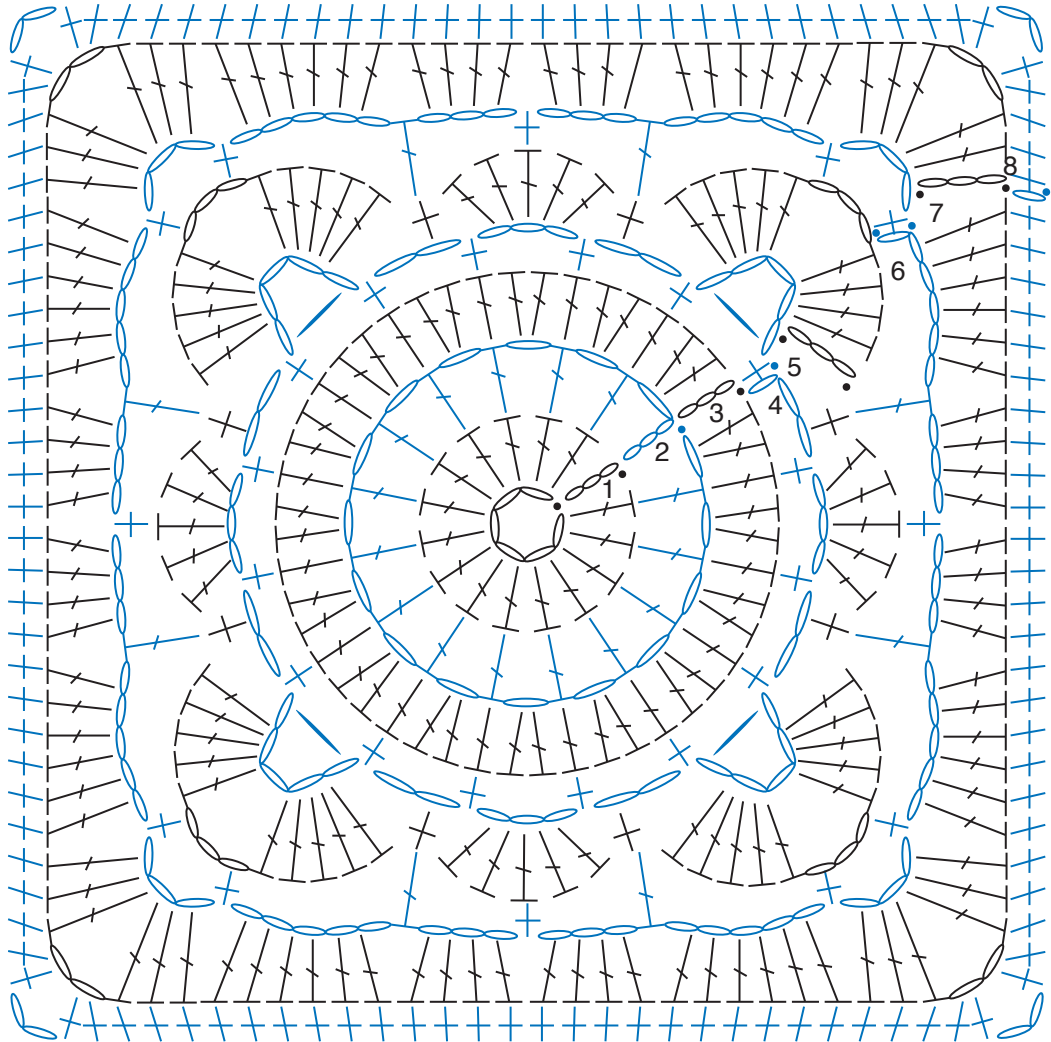


MOTIF



STITCH KEY

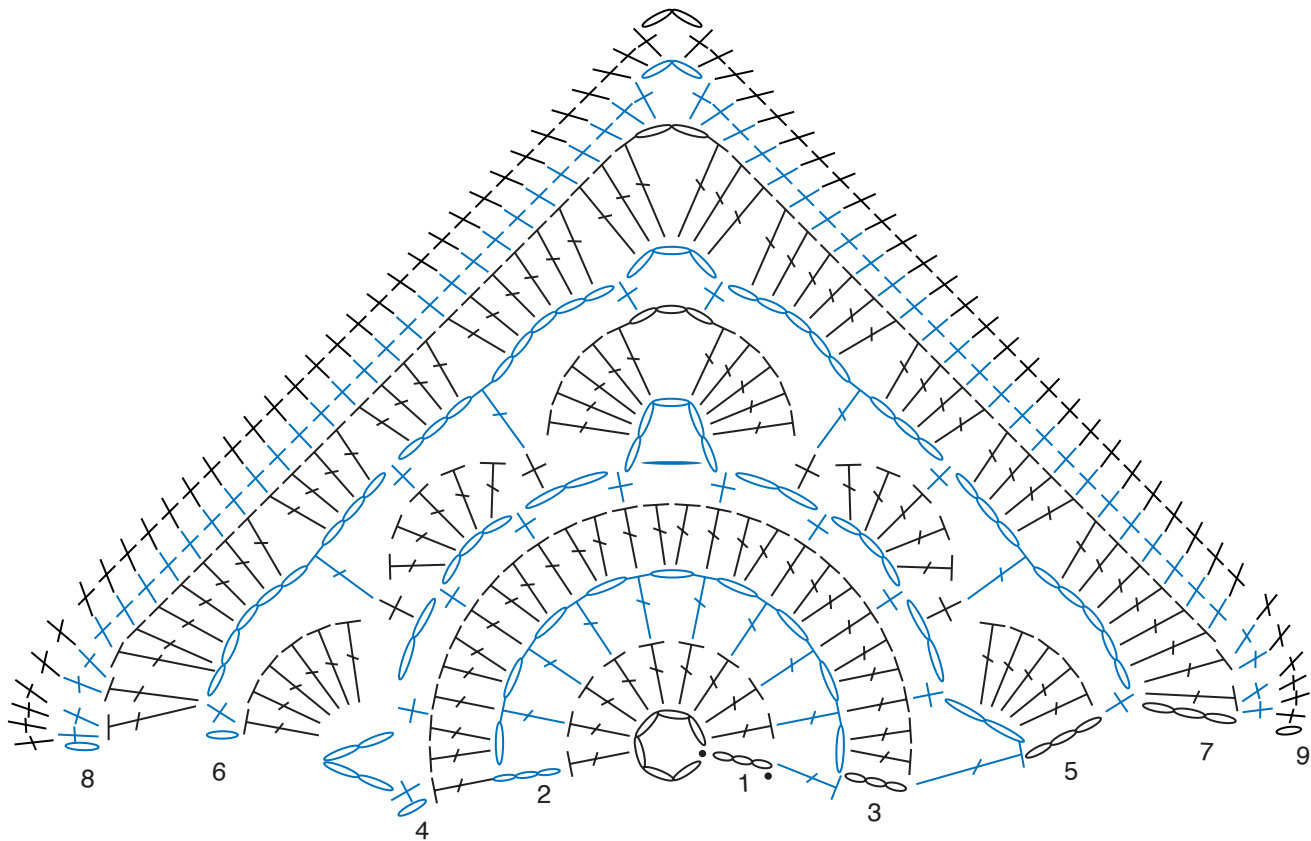
○ = chain (ch) [maille en l'air (ml)]

• = slip stitch (sl st) [maille coulée (mc)]

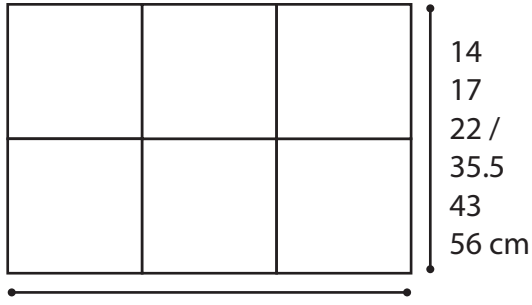
⊥ = single crochet (sc) [maille serée (ms)]

⊥ = double crochet (dc) [bride (br)]

HALF MOTIF [DEMI-MOTIF]

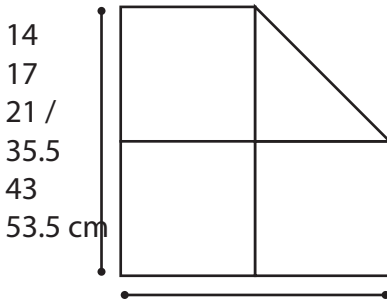


Back [Dos]



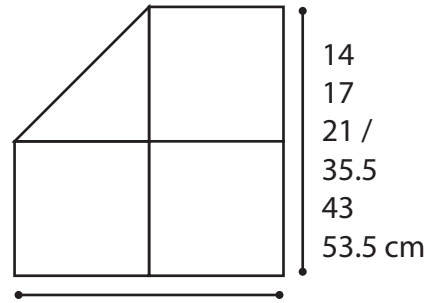
21 - 25¹/₂ - 31¹/₂ / 53.5 - 65 - 80 cm

Right Front [Avant Droite]



14 - 17 - 21 / 35.5 - 43 - 53.5 cm

Left Front [Avant Gauche]



14 - 17 - 21 / 35.5 - 43 - 53.5 cm

Shoulder seams
[Coutures des épaules]

